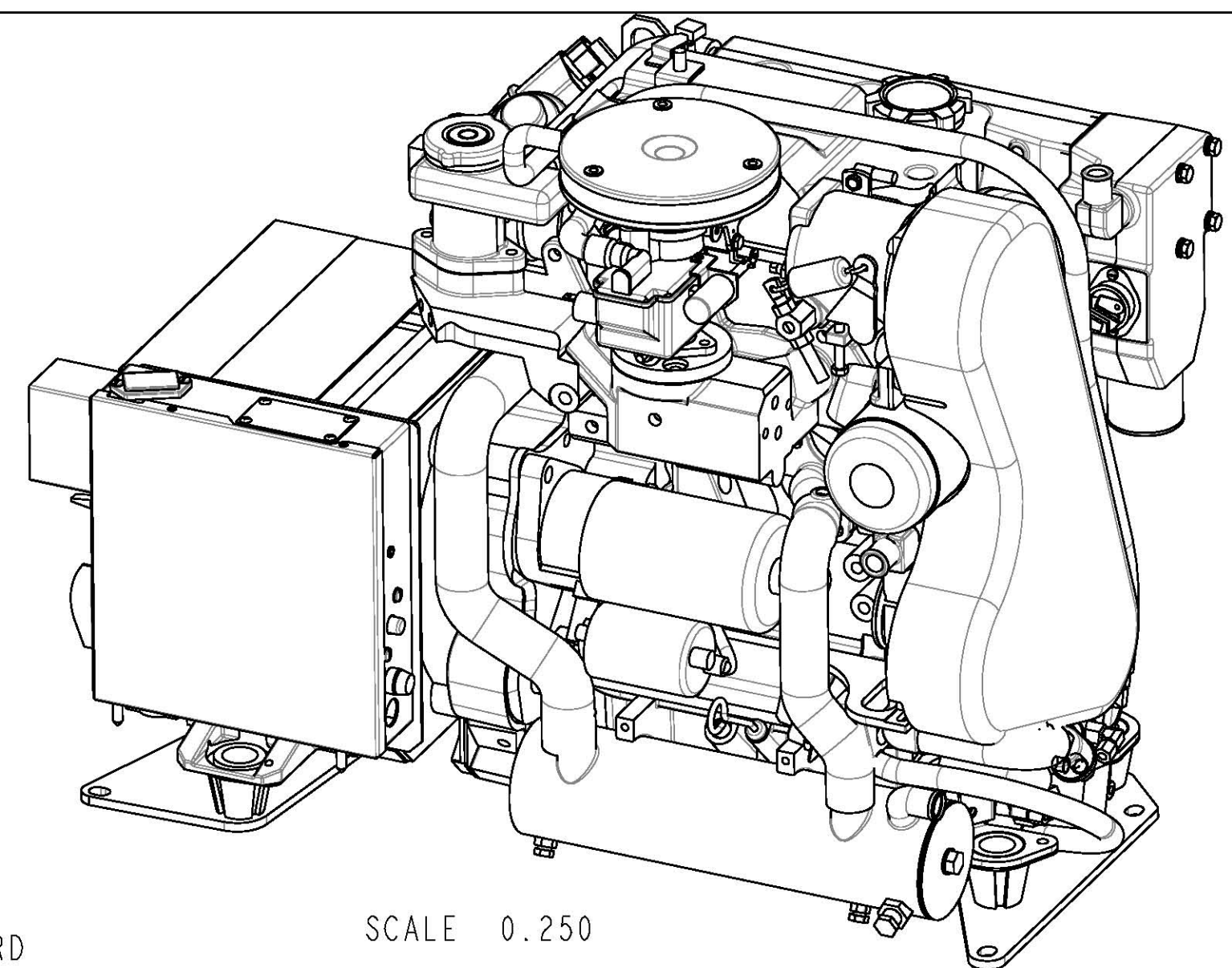
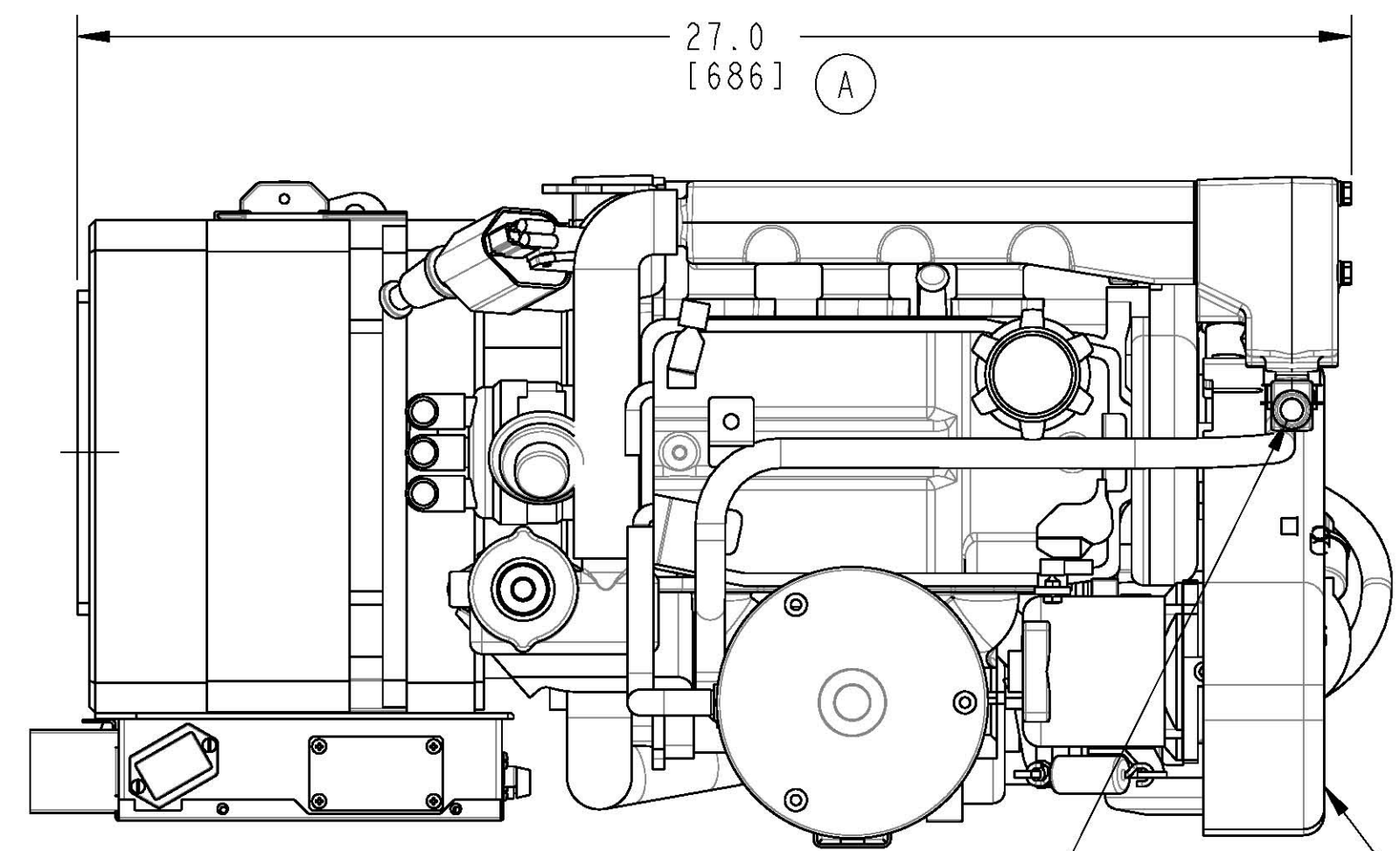


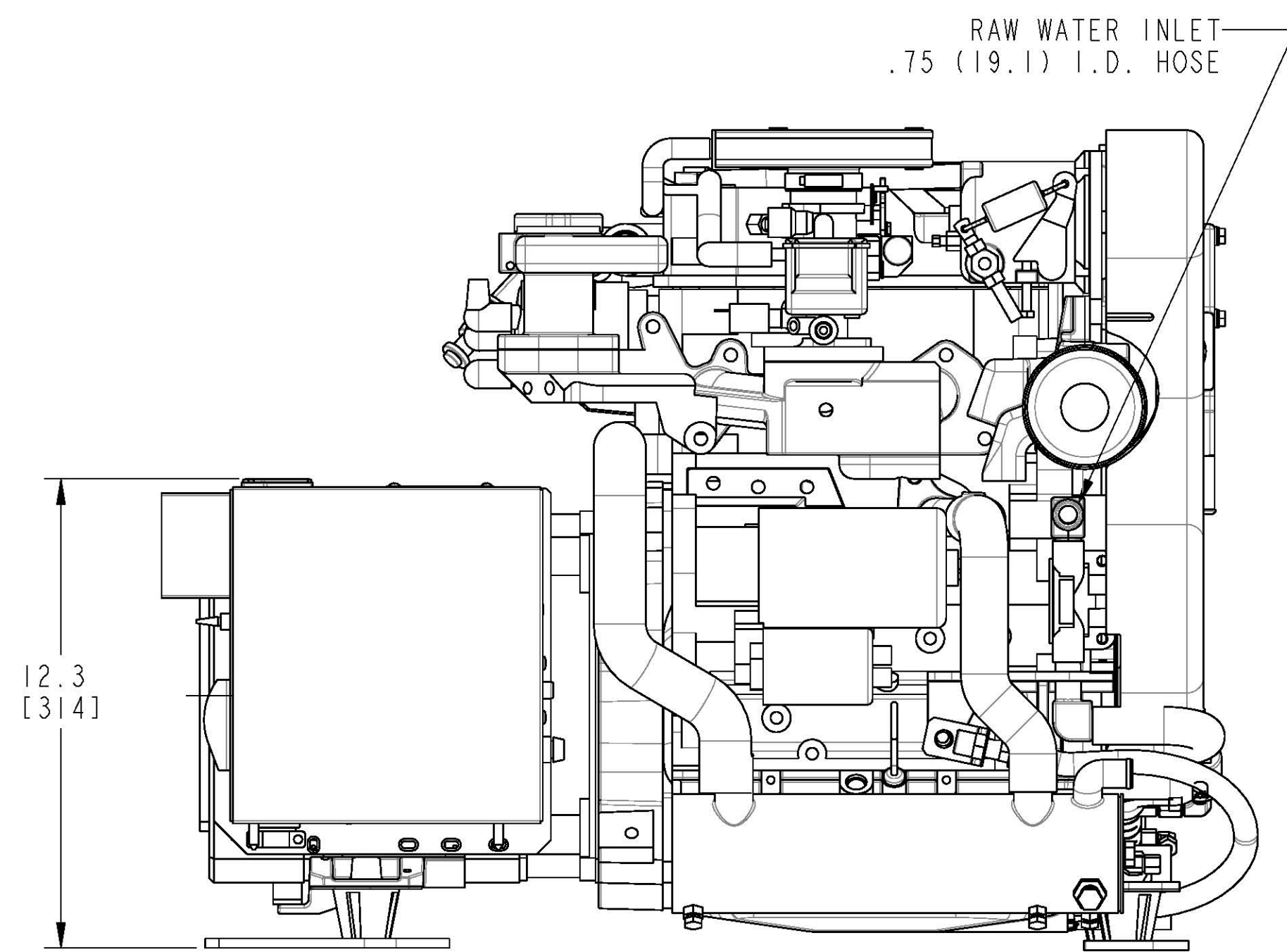
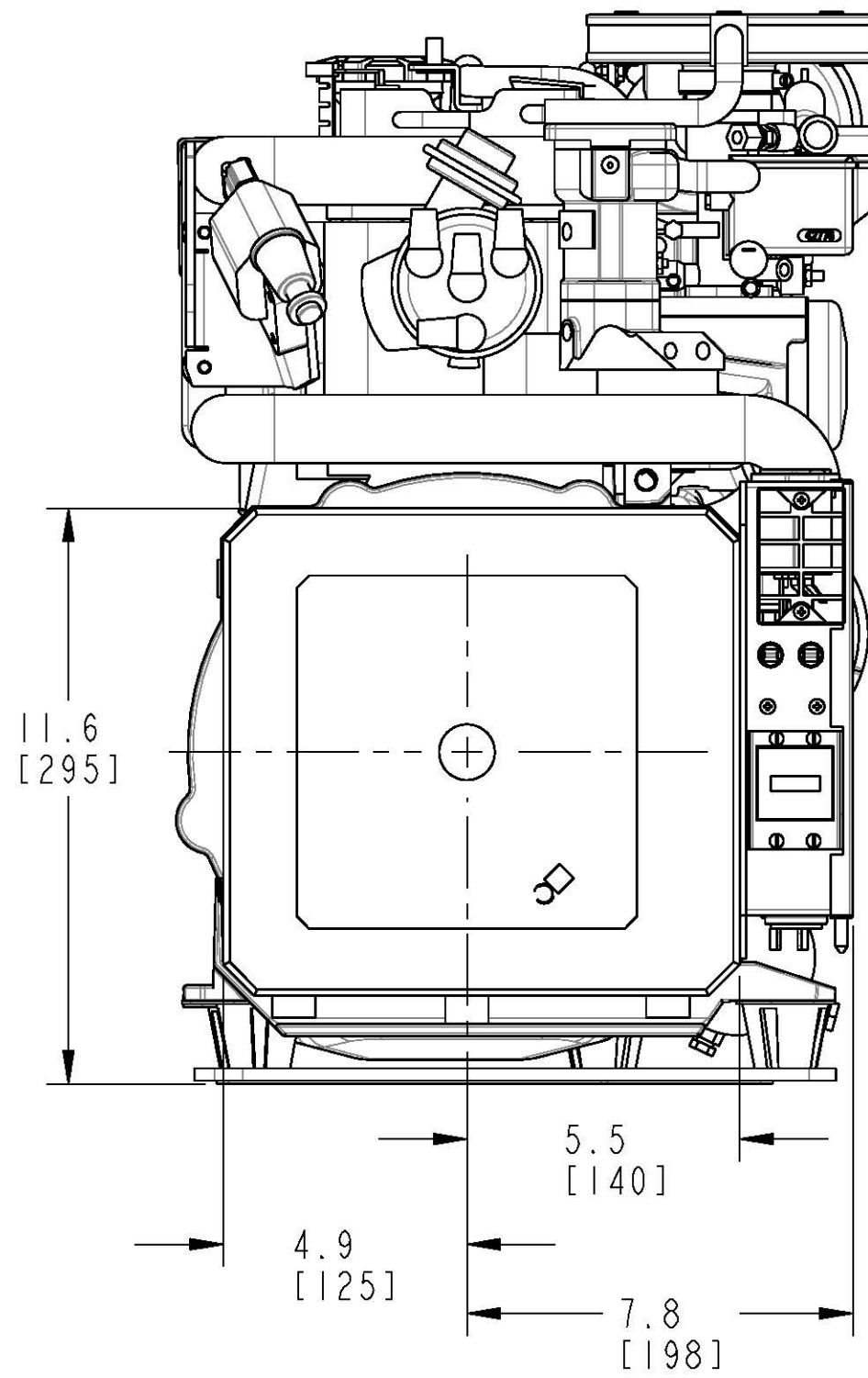
ECO NO.	DATE	REV.	REVISION RECORD	AUTH.	DR. BY
5172	1-11-02	A	27.0 DIM WAS 26.8; 1.5 DIM WAS 1.3; 20.6 DIM WAS 20.1		WRM



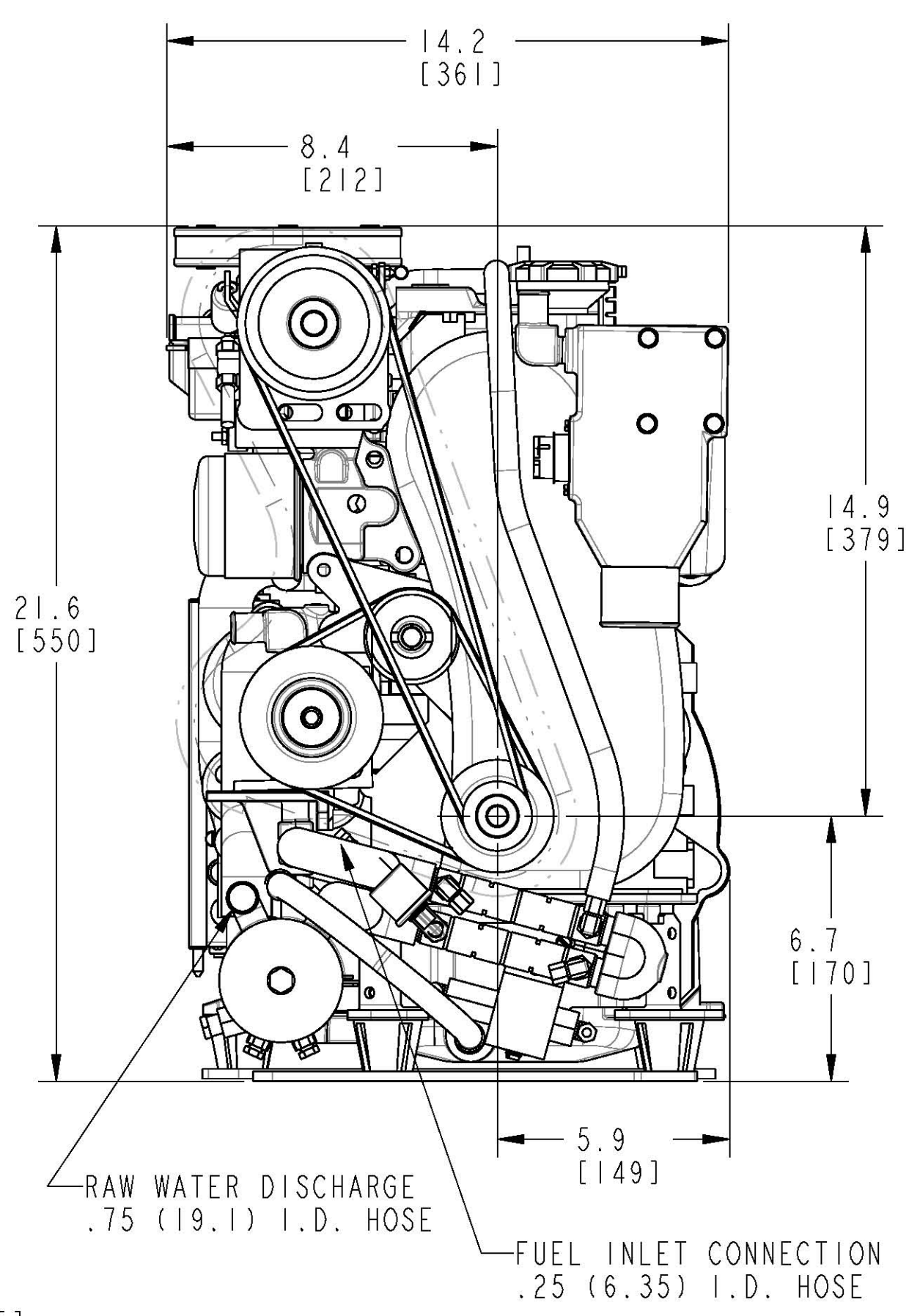
WATER INJECTION FITTING  
.75 (19.1) I.D. HOSE

BELT GUARD

SCALE 0.250

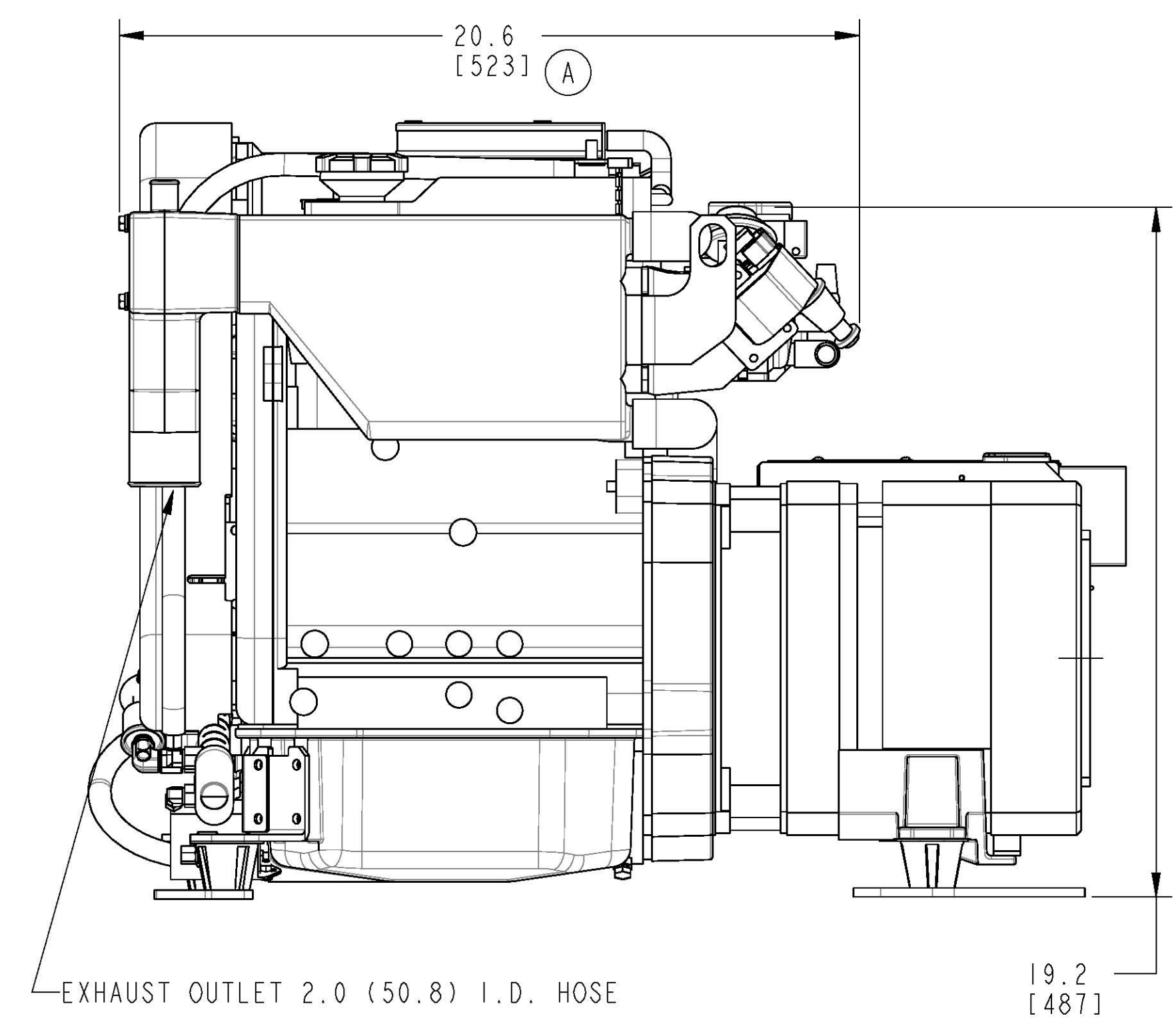


RAW WATER INLET  
.75 (19.1) I.D. HOSE

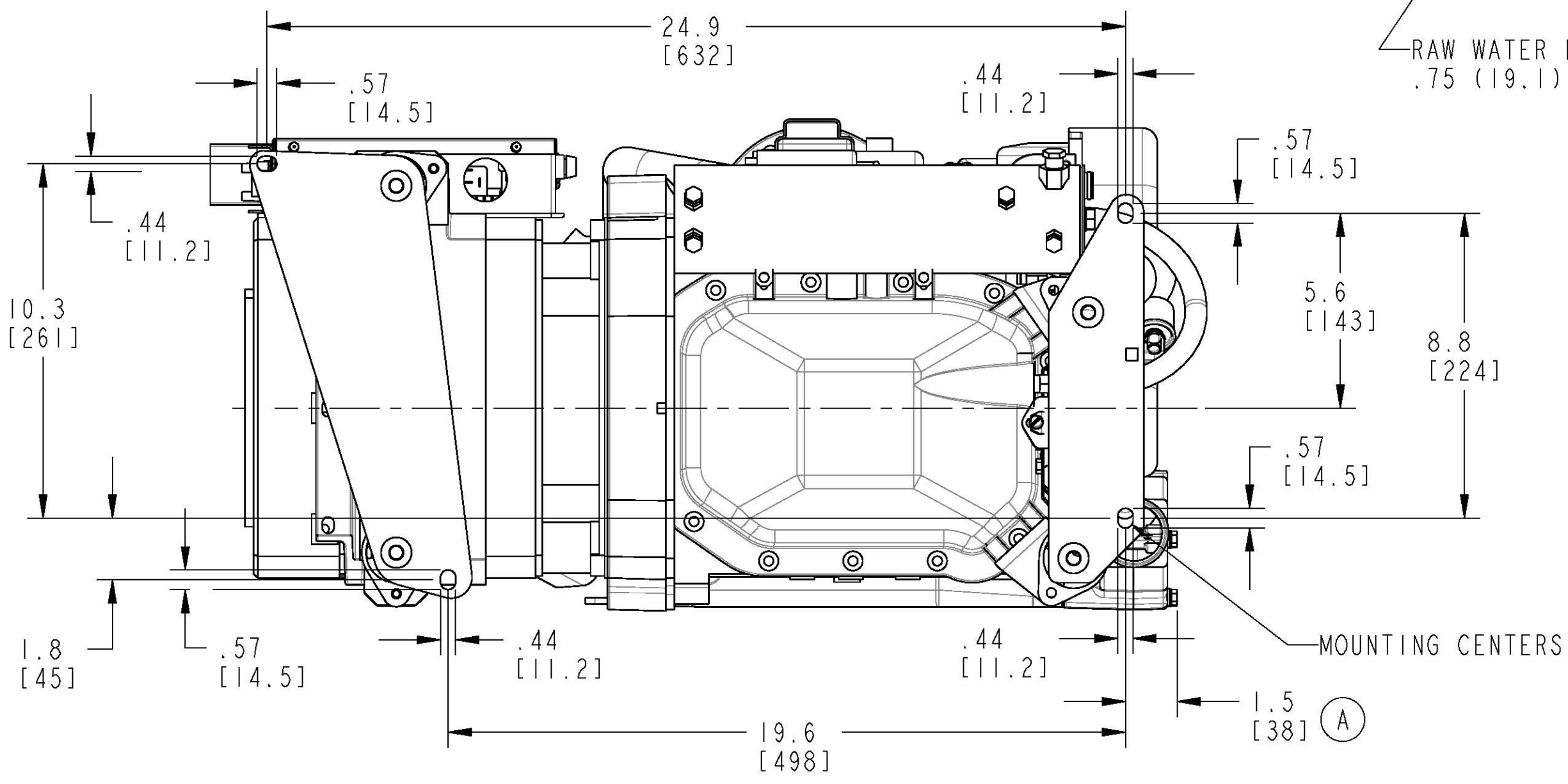


RAW WATER DISCHARGE  
.75 (19.1) I.D. HOSE

FUEL INLET CONNECTION  
.25 (6.35) I.D. HOSE



EXHAUST OUTLET 2.0 (50.8) I.D. HOSE



MOUNTING CENTERS

TOLERANCES (UNLESS OTHERWISE NOTED)		WESTERBEKE CORPORATION TAUNTON, MA. 02780	
INCHES	MILLIMETERS	TITLE	MATERIAL
.XX : .02	X : ± 1.0	INSTALLATION DRAWING	---
.XXX : .005	.X : ± .5	7.2 BCGTC	---
CAST : .03	.XX : ± .13	DRAWN BY JM	DATE 2-9-98
ANGLES : .5°		APPROVED BY	DATE
FINISH			
DIMENSIONS		SCALE 0.281	SIZE DRAWING NUMBER
INCHES MILLIMETERS		SHT. 1 OF 1	D 43323
(WHEN APPLICABLE)			REV. A